

NEXUS Shower

INSTALLATION INSTRUCTIONS



Impresa Tile Showers Ltd.

P. 09 273 4545 E. support@impresa.co.nz

NEXUS

SHOWER INSTALLATION



STEP 1

FRAMING

Ensure framing is plumb or no greater than 10mm out of plumb.
Ensure the floor is no greater than 5mm out of level.
Install a row of noggs around tray height to allow fixing for bottom of wet-wall lining.

WASTE-TRAP POSITION / INSTALLATION

Concrete Floor: Place the shower tray onto the floor 6mm away from the bottom plate / framing. Align the trap to the tray waste hole and connect the trap to the outlet pipe.

Timber Floor: Place the shower tray onto the floor 6mm away from the bottom plate / framing and mark the perimeter of the tray waste hole onto the floor. Cut an oversized round or square hole in the floor and connect the trap to the outlet pipe.

Ensure the trap is level with the floor. If an option, for timber floor installations, connect the waste-trap to the tray and outlet pipe from underneath the floor after the tray has been installed.

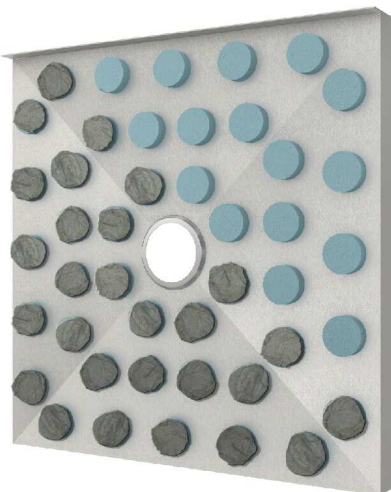


STEP 2

TILE ADHESIVE APPLIED TO SHOWER FLOOR AND TRAY

Ensure the shower-area floor surface is free of dirt and dust. Mix tile adhesive to a 'stiff' consistency which allows adhesive to remain stuck on tray foam support pads when tray is lifted to a vertical position at time of placement. Using a 10mm notched trowel, apply tile adhesive to the shower-area floor.

Lay shower tray flat with underside and foam pads facing up. Apply a thin 'primer' amount of tile adhesive to each foam pad on tray underside then apply a minimum 10mm thickness of adhesive to each foam support, adding extra adhesive as required for uneven / unlevel floors.



STEP 3

PLACEMENT AND INSTALLATION OF TRAY

With adhesive on tray foam pads and shower floor area, gently place shower into the required area. Ensure the tray is level along the 'door side' of the tray and from that point across to the other corner of the tray. Push the tray down or lift the tray up and add extra adhesive as required to make tray level.

Lightly tap-down the entire tray to ensure bonding between the adhesive on the tray and the floor. Check the tray is level or no greater than 5mm out of level from corner to corner at both walls.

Do not apply any heavy weights to the tray. Do not stand on the tray before adhesive has cured. Allow 24 hours for adhesive to cure. Once the adhesive has cured, stand and walk on tray to check it is well bonded to floor and is not flexing.

NEXUS

SHOWER INSTALLATION



STEP 4

WASTE-TRAP AND TRAY ALIGNMENT AND INSTALLATION

With waste-trap bottom 'O' ring on the waste body, ensure the waste-trap and tray hole-outlet align and that the 'O' ring on the waste body is touching the bottom of the tray outlet hole. Screw the waste top chrome ring a few rotations into the trap body. Apply silicone to underside of waste screw-ring and fully tighten the screw-ring to tray. Alternatively, if possible, attach the waste-trap to the tray from underneath the bathroom floor.

If not done prior, install a row of noggs to framing at tray height to allow fixing of bottom edge of wet-wall lining.



STEP 5

CHECK TRAY ADHESION TO FLOOR

To ensure the tray is well-bonded to the floor, stand and move about on the tray, checking for flexing / movement of the tray. If there is any movement, lift the tray and re-adhere.

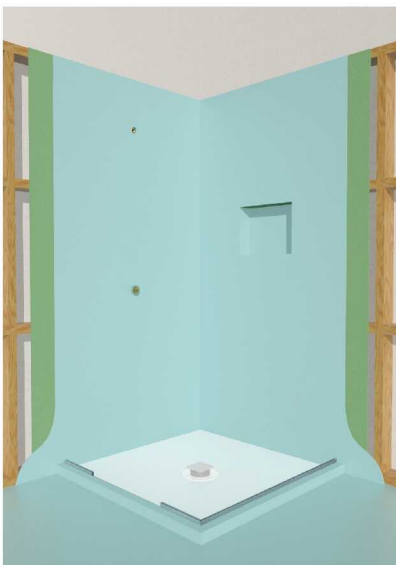
QUIK NICHE INSTALLATION

If required, install Quik Niche as per Impresa instructions supplied with niche.

WALLBOARD INSTALLATION

Before affixing wallboard, ensure the shower wall framing is plumb or not more than 10mm out of plumb -- pack wall to suit if required.

Cut and affix wet-area wallboard to framing as per manufacturer's instructions.



STEP 6

PRE-WATERPROOFING CHECK

Prior to application of waterproofing membrane, ensure the shower walls are plumb or no more than 10mm out of plumb.

CAUTION: Tiler or waterproofer should check the tray is solidly-bonded to the floor and is not flexing BEFORE proceeding with the application of a waterproofing membrane.

JOINT TAPE AND WATERPROOFING MEMBRANE APPLICATION

In accordance with the manufacturer's specifications and instructions, apply a primer to the shower wall linings and bathroom floor.

Apply a peel and stick butyl tape to span the tray side-upstand / wall lining joints, and a further butyl tape to the tray front threshold or flange and onto the bathroom floor. Brush or roll a liquid waterproofing membrane to the shower walls and down across the applied butyl tape and onto the tray sides. Apply the liquid waterproofing to the bathroom floor and onto the butyl tape applied to the tray front threshold or flange.

For sheet membranes, refer to the manufacturer's instructions.

NEXUS

SHOWER INSTALLATION



STEP 7

WALL GLAZING CHANNEL INSTALLATION

Wall glazing channels are to be adhered to the waterproofed walls BEFORE tile is applied.

Place an 1800mm-long spirit level against the inside face of tray glazing channel and mark the 'plumb' position on the wall. Repeat procedure on other wall.

Standard Wall Channel Height -- Both supplied wall channels are pre-cut at 1965mm. Ensure the wall channel that receives the glass 'Hinge Panel' (panel that door hinges attach to) is installed at the supplied length of 1965mm. Trim the second wall channel length / height if necessary to ensure the channel is level with the corresponding Hinge Panel channel. Apply a bead of supplied silicone sealant / adhesive to the bottom side of both pre-cut wall glazing channels and adhere each to the wall at the pre-marked plumb position. Apply a second and third bead to the inside and outside channel / wall junctions. With an 1800mm-long level, check each channel is plumb, and level with each other at the top.



STEP 8

TILE APPLICATION

The tiler should check the tray has been well-bonded to the floor and is not flexing BEFORE proceeding with tile installation.

Adhere tile to the tray with **Mapei 'Kerapoxy Adhesive'** or **Sika 'Sikadur-32 Normal'** as per the manufacturer's instructions

The supplied stainless steel drain grate is to be centred over the waste outlet and 'square' with the tray and walls. Cut the tile and apply the tile to the tray ensuring the height of the tile finishes flush with the grate. After the tray tile has been applied, install tile to the shower walls. All tiling should comply with BRANZ recommendations, industry standards, and tile adhesive manufacturer's specifications.



STEP 9

PLUMBING FIXTURES INSTALLATION

Install plumbing fixtures to shower.

STEP 10

GLASS INSTALLATION

Impresa recommends the installation of the frameless-glass enclosure be performed by an experienced frameless-glass installer.

See Glazing Installation Overview -- click the 'Technical / Drawings' button on the NEXUS page -- www.impresa.co.nz.

NEXUS SHOWER TRAY

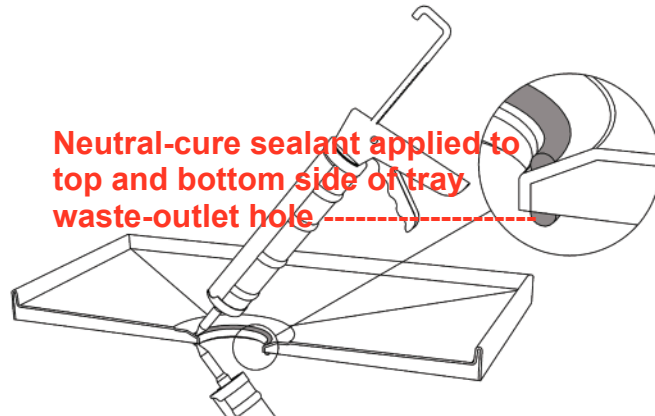
EASY-CLEAN WASTE ECW9050 INSTALLATION

It is the sole responsibility of the installer to ensure a perfect water seal between the inner ring-flange and the shower tray by applying a 'wet-area' neutral-cure silicone sealant.



Step 1

Apply a generous bead of a 'wet-area' neutral-cure silicone sealant around the top and underside of the tray waste outlet hole.

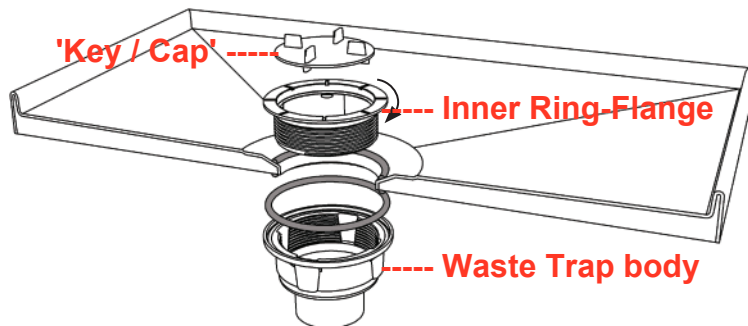


Step 2

Insert the inner ring-flange into the waste trap body and screw the ring-flange down onto the tray, firmly but not excessively using the key / cap tool provided.

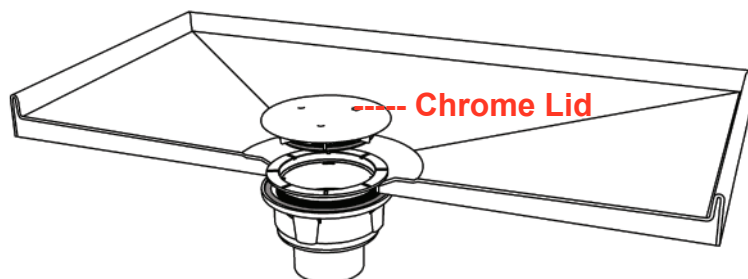
Lightly spray water over any excess sealant and remove the excess sealant.

Leave the key / cap tool in place to prevent debris entering the waste outlet.



Step 3

Install the inner cup into the waste trap body. Install the chrome lid and rotate it while pressing downwards until the lugs on the lid click into place.



SHOWER TRAY INSTALLATION ADHESIVES.

TRAY TILE APPLICATION ADHESIVES.

TRAY INSTALLATION TO FLOOR

Apply one of the recommended thinset tile adhesives below to a minimum 10mm-thickness to each of the high-density foam pads on the bottom of the tray, AND to the shower area floor with a 10mm notched-trowel.

RECOMMENDED TILE ADHESIVES

(A) Ardex NZ -- **ARDEX X77**

(B) Australasian Tiling Adhesives -- **AUSFLEX GOLD**

(C) Construction Chemicals NZ -- **DURAFLEX**

(D) ASA Bostik NZ -- **CONFLEX**

(E) Laticrete -- **LATAFLEX GOLD**

(F) Cemix Products -- **RUBBERFLEX**

(G) Davco -- **ULTRAFLEX**

TILE APPLICATION TO SHOWER TRAY (DIRECT-STICK EPOXY ADHESIVE METHOD)

Impresa tileable aluminium shower trays are supplied with a white epoxy coating. All ceramic and porcelain tile is to be adhered directly to the tray with one of the following epoxy adhesives --

Mapei NZ -- **Kerapoxy Adhesive** (epoxy adhesive). For 10mm-thick tile use with 8mm or 10mm trowel.

Sika NZ -- **Sikadur-32 Normal** (epoxy adhesive). For 10mm-thick tile use with 8mm or 10mm trowel.

For smaller and / or thinner tile, use an appropriate smaller-depth trowel size.

TILE APPLICATION TO SHOWER TRAY (PRIMER / WATERPROOF MEMBRANE / TILE ADHESIVE METHOD)

Tiler is to check with the preferred tile adhesive manufacturer / supplier for the following --

1. Recommended primer onto an epoxy-coated shower tray
2. Recommended waterproof membrane for application onto the applied primer
3. Recommended tile adhesive for shower floors

NOTE

All on-site specifications and conditions are to comply with the respective adhesive manufacturer's specifications and recommendations. Impresa Showers does not imply nor provide any warranties for any tile adhesive listed herein.

Impresa Showers

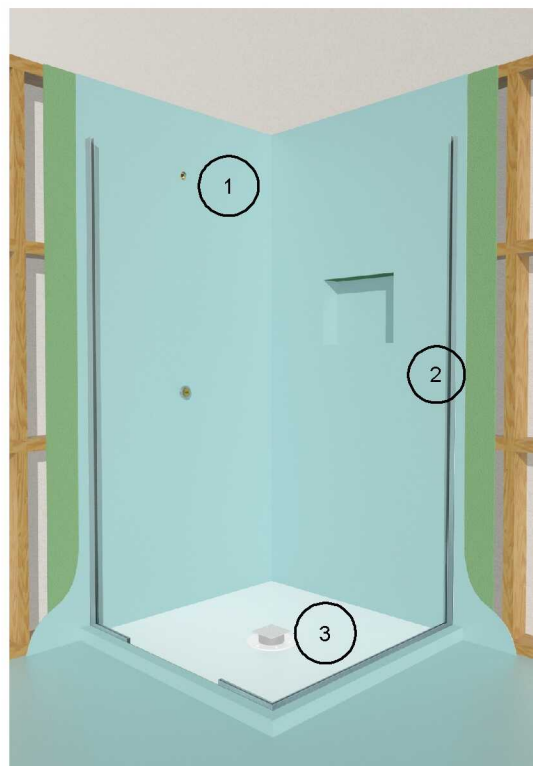
Ph: 09 273 4545 support@impresa.co.nz

NEXUS

RECOMMENDED WATERPROOFING MEMBRANES

NEXUS shower trays are supplied with a butyl membrane tape applied to the side upstands. Wet-area wallboard linings are to be installed to the shower wall framing, finishing at the top of, and flush with, the tray side-upstands. A recommended liquid waterproofing membrane primer / first-coat is to be applied to the shower walls and down onto the tray side-upstands. A 'bandage' mesh tape is to be applied to the wallboard / tray side-upstand joint and further liquid membrane is to be applied to the joint and shower walls according to the manufacturer's specifications.

NOTE: The wall glazing channels are to be adhered directly to the waterproofed walls PRIOR to the application of wall tile.



WATERPROOFING APPLICATION OVERVIEW

NOTE: Before applying the waterproofing, ensure the tray does not flex due to the action of a person walking or moving on the tray. If there is flexural movement of the tray, it must be lifted and re-adhered correctly.

1. Selected cementitious or acrylic waterproofing membrane from list below applied to shower wall linings
2. Wall Glazing-channels installed directly to cured waterproofing
3. NEXUS shower tray.
4. Waterproofing to be applied to shower as per manufacturer's specifications. Ensure waterproofing is fully hard-cured before applying tiles.

WATERPROOFING MANUFACTURERS / SUPPLIERS

MANUFACTURER / SUPPLIER	CEMENTITIOUS MEMBRANES	ACRYLIC / URETHANE MEMBRANES
Sika NZ	Sikalastic-152	Sikalastic-220W
Ardex NZ	Superflex WPM002	WPM155 Rapid
Bostick (NZ)	DampFix 3	DampFix Gold
Construction Chemicals NZ	Liquid Flash 2	Hydrathane
Construction Technologies	AquaBlok 2	AquaBlok W1
Davco	Dampfast	Dampflex
Flexco NZ	Miracryl	Flexi-Seal
Mapei NZ	Mapelastic Smart	Aquadefense
Technokolla (Protective Surfaces)	Rasolastik	Rasogum
Waterproofing Systems	Gripset 2P	Gripset 38

NOTE

All on-site specifications and conditions are to comply with the respective waterproofing manufacturer's specifications and recommendations. Impresa Tile Showers Ltd. does not imply nor provide any warranties for any product listed herein.

NEXUS & URBIS SHOWER -- ALCOVE

'INLINE' GLASS ENCLOSURE INSTALLATION

IMPORTANT NOTE

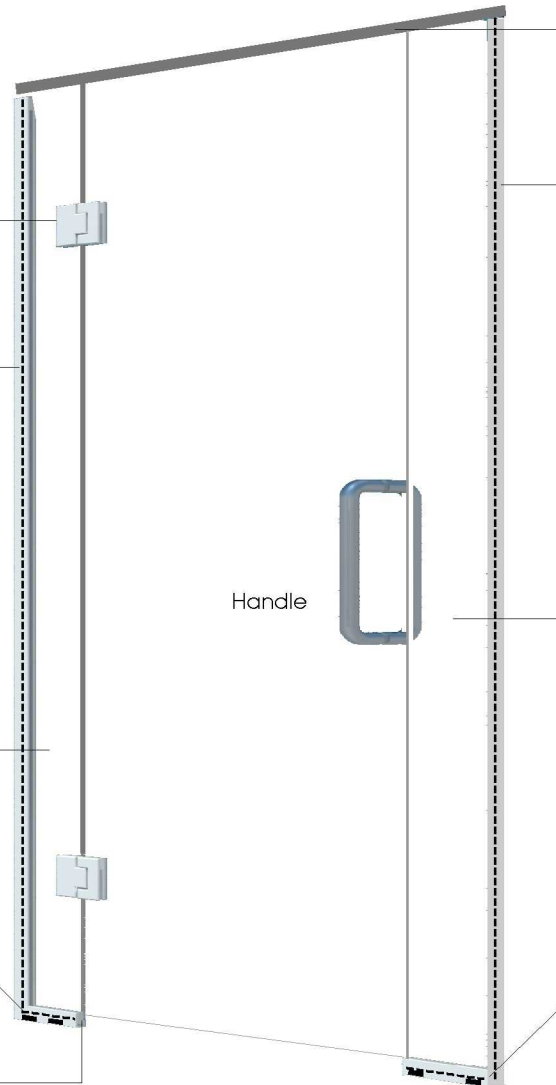
NOTE: Ensure Hinge Panel is installed with the top hinge cut-out 250mm from top edge of panel. Bottom hinge cut-out is 270mm from bottom edge of panel.

With plumb walls, glass will sit approx. 10-15mm into channel.

Glass Hinge Panel is to be made plumb and made level with top of glazing channel. Internally, a continuous bead of clear silicone is to be applied between sidelite and channel. Glass panel is to be pushed hard against channel and excess silicone removed. Externally, silicone is to be applied between glass and glazing channel and excess silicone removed. Ensure the installed panel is flush with the end of the tray glazing channel.

Clear silicone applied into each tray / wall channel butt-joint immediately prior to installation of each sidelite.

Apply silicone to open end of channel / bottom of glass sidelite to prevent water ingress into channel.



Aluminium Brace Bar secured with silicone adhesive or Clamp Brackets.

IMPORTANT NOTE

WALL GLAZING CHANNELS

Wall channels are to be adhered directly to the waterproofed walls with the supplied silicone BEFORE the application of wall tile.

Apply a continuous bead of silicone to entire length of back side of channel. Adhere channel to wall and apply a continuous beads of silicone to inside and outside of channel / wallboard junction

Glass Side Panel is to be made plumb and made level with top of glazing channel. On the shower interior, apply a continuous bead of clear silicone between the side panel and the glazing channel. Push the glass panel hard against the tray and wall channels, spray water, and remove excess silicone. Externally, apply silicone between the glass and glazing channel and remove excess silicone. Ensure the installed panel is flush with the end of the tray glazing channel.

9x10mm Setting Blocks supporting Hinge Panel. Utilise / adjust blocks to ensure glass is level or 1.5mm max. above top of channel.

NEXUS & URBIS SHOWER

CORNER GLASS ENCLOSURE INSTALLATION

IMPORTANT NOTE

WALL GLAZING CHANNELS

Wall channels are to be adhered directly to the waterproofed walls with the supplied silicone BEFORE the application of wall tile.

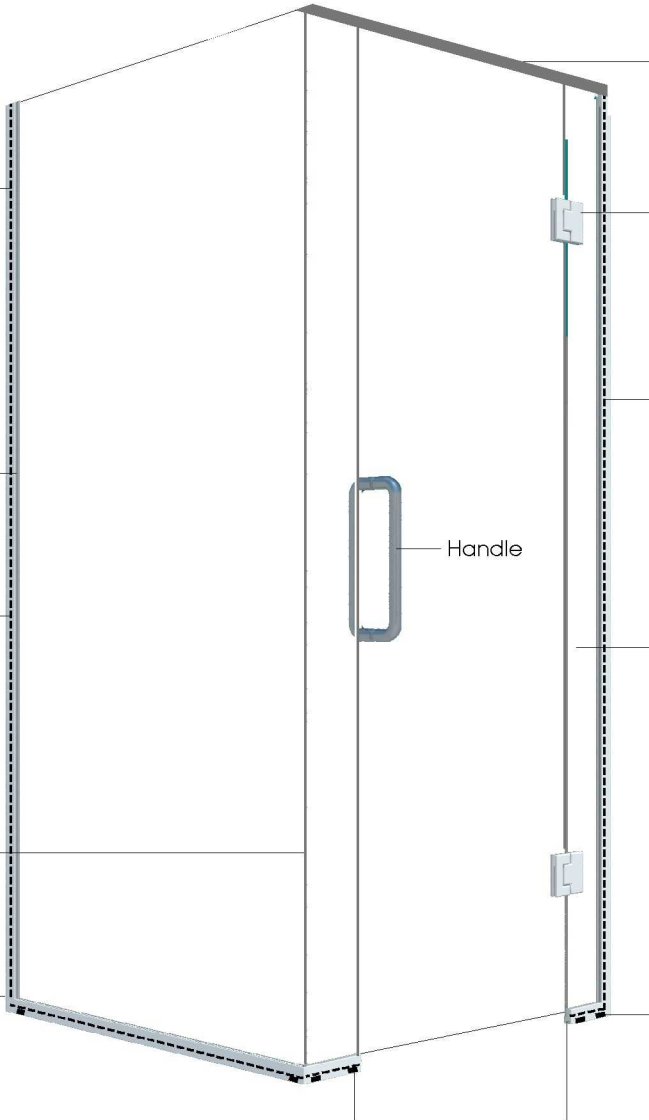
Glass Return panel is to be made plumb and level with top of glazing channel. Internally, a continuous bead of clear silicone is to be applied between glass and glazing channel. Return is to be pushed hard against channel and excess silicone removed. Externally, silicone is to be applied between glass and glazing channel and excess silicone removed.

With plumb walls, glass will sit approx. 10 - 15mm into channel.

A continuous bead of clear silicone to be applied to return panel edge. Ensuring the Side Panel will be level with the Return Panel and wall channel, insert the Side Panel into tray channel and adhere the panel to the return panel edge. Remove any excess silicone.

Clear silicone applied to each tray / wall channel butt-joint immediately prior to installation of sidelite or return panel.

Clear silicone to bottom of sidelites to seal-off end of channels.



Aluminium Brace Bar secured with silicone adhesive or Clamp Brackets.

NOTE: Ensure Hinge Panel is installed with the top hinge cut-out 250mm from top edge of panel. Bottom hinge cut-out is 270mm from bottom edge of panel.

Glazing channel adhered to waterproofed wallboard with continuous bead of silicone applied to entire length of back side of channel and each channel / wallboard junction.

Glass Side Panel is to be made plumb and made level with top of glazing channel. On the shower interior, apply a continuous bead of clear silicone between the side panel and the glazing channel. Push the glass panel hard against the tray and wall channels, spray water, and remove excess silicone. Externally, apply silicone between the glass and glazing channel and remove excess silicone. Ensure the installed panel is flush with the end of the tray glazing channel.

9 x 10mm Setting Blocks supporting Hinge Panel. Utilise / adjust blocks to ensure glass is level or 1.5mm max. above top of channel.