

IMPRESA SHOWERS LIMITED

CUSTOM SHOWER WORKSHEET



METRO SHOWER & METRO STAINLESS SHOWER

CUSTOM WORKSHEET

CLIENT NAME: EMAIL: PHONE:

BUILDER NAME: EMAIL: PHONE:

SITE ADDRESS: DELIVERY ADDRESS:

Provide information below for only one shower per worksheet. If possible, send a bathroom floor plan or a simple hand-drawn bathroom layout. Impresa will provide a 3D model of the required shower and send to the client for confirmation prior to manufacture. Contact Impresa for assistance if required -- Phone 09 273 4545

BATHROOM NAME / NO:

SHOWER BRAND (Tick option) METRO

METRO STAINLESS

SHOWER TRAY-ONLY (Tick option)

SHOWER TRAY & GLASS (Tick Option)

SHOWER TRAY DESIGN (Tick option)

CORNER TRAY C1 C2 C3 C4 C5 C6

ALCOVE TRAY A1 A2 A3 A4

TRAY-TYPE INSTALLATION (Tick option)

'ON-FLOOR' TRAY (INSTALLED ON TOP OF FLOOR)

'LEVEL-ENTRY' TRAY (INSTALLED INTO RECESSED FLOOR WITH 18mm 'STEP-DOWN' IN TRAY)

'WHEELCHAIR' TRAY (INSTALLED INTO RECESSED FLOOR 'FLUSH' WITH FLOOR / NO 'STEP-DOWN' IN TRAY)

SUB-FLOOR MATERIAL (Tick option)

CONCRETE PLYWOOD / PARTICLE BOARD T&G COMPRESSED SHEET / SCYON SECURA

FIBRE CEMENT BOARD UNDERLAY 6mm UNDERFLOOR HEATING 4mm approx.

BATHROOM FLOOR FINISH MATERIAL / THICKNESS (Tick option)

TILE STONE ORIGINAL T&G OVERLAID T&G OTHER

SHOWER WALL LINING (Tick option)

VILLABOARD 9mm PLASTERBOARD 10MM PLASTERBOARD 13MM OTHER

SHOWER WALL FINISH MATERIAL / THICKNESS (Tick option)

TILE PORCELAIN SHEET SERATONE / AQUAPANEL / HARDIGLAZE ACRYLIC LINER

WASTE-OUTLET HOLE POSITION

CHANNEL-DRAIN POSITION: Draw channel-drain position on Plan-View drawing attached

WASTE-OUTLET HOLE POSITION

STANDARD POSITION: 100mm to centre off side-wall framing (Tick to confirm) _____

or Centre-point along proposed channel (Tick to confirm) _____

CUSTOM POSITION: Measurement along proposed channel from side wall or rear wall framing _____

NOTE: Check for joists and obstructions under floor

METRO CHANNEL COVER OPTIONS

(Tick option required)

SOLID STAINLESS-STEEL _____ SLOTTED STAINLESS-STEEL _____ 'BLACK' POWDER-COATED _____

TILE-ON _____ WEDGE-WIRE _____

GLASS ENCLOSURE DETAILS **N/A** _____ (Tick if glass not required)

From the website Technical Page > Glass Enclosure Options PDFs, select the enclosure required ('A' thru 'Z') & record here _____

DOOR WIDTH REQUESTED: _____ MM. (Ensure door arc clears adjacent towel rail, toilet, vanity, bath, etc).

SLIDING DOOR ENCLOSURE: (Tick if Required) _____ Impresa will calculate & confirm the maximum door width and position

GLASS HEIGHT: (Tick option) -- Standard 2000MM off tray _____ Optional Height (tile joint, door, mirror, etc) _____ MM

GLASS TYPE: (Tick option) Standard Clear-Float _____ Low Iron / Ultra Clear _____

GLAZING CHANNEL FINISH: (Tick option) **STANDARD:** MATTE 'NATURAL' ALUMINIUM _____

OPTIONAL FINISH: BRIGHT POLISHED _____ BRUSHED STAINLESS _____ BRUSHED NICKEL _____ BLACK _____

HANDLE TYPE / FINISH **N/A** _____ (Tick if glass not required)

STANDARD HANDLE: ROUND 'D' (Tick if required) _____

OPTIONAL HANDLE: (Tick option) SQUARE D _____ ROUND H _____ SQUARE H _____ SQUARE PULL _____

HANDLE FINISH: (Tick option) POLISHED STAINLESS _____ BRUSHED STAINLESS _____ BRUSHED NICKEL _____
BLACK _____

HANDLE ORIENTATION: (Tick option) VERTICAL (Standard) _____ HORIZONTAL (Optional) _____

HINGE TYPE / FINISH **N/A** _____ (Tick if glass not required)

STANDARD HINGE: CHROME ON BRASS (Tick if required) _____

OPTIONAL HINGES: (Tick option) BRUSHED STAINLESS _____ BRUSHED NICKEL _____ BLACK _____

ALCOVE TRAY / ON-FLOOR

Complete this section only if an **alcove** shower tray is to be installed **onto** a bathroom floor. Provide measurements as requested below. See the Alcove Tray Plan View Page 4 drawings for assistance to determine the required measurements. Contact Impresa for assistance if required.

REAR WIDTH FRAME TO FRAME _____ FRONT WIDTH FRAME TO FRAME _____

REAR FRAME TO FRONT OF TRAY THRESHOLD _____ REAR FRAME TO GLASS POSITION (OUTSIDE) _____

REAR FRAME TO GLASS POSITION (OUTSIDE) _____

FOUR-WALL ALCOVE SHOWER ONLY

REAR FRAME TO FOURTH WALL _____

FOURTH WALL LENGTH _____

FOURTH WALL THICKNESS _____

ALCOVE TRAY / RECESSED-FLOOR

Complete this section only if an **alcove** shower tray is to be installed **into** a recessed floor /alcove area. If framing is in-situ and the recessed / rebated shower floor has been created prior to completing this form, provide measurements as requested below. See the Alcove Tray Plan View Page 4 drawings for assistance. If recessed floor has not been created, contact Impresa for required shower-floor depth.

BATHROOM FLOOR TO SHOWER FLOOR DEPTH (i.e. PLY TO PLY / CONCRETE TO CONCRETE) _____

REAR WIDTH FRAME TO FRAME _____ FRONT WIDTH FRAME TO FRAME _____

REAR FRAME TO RECESSED-FLOOR FRONT EDGE (if recess is formed) _____

REAR FRAME TO GLASS POSITION (OUTSIDE) _____

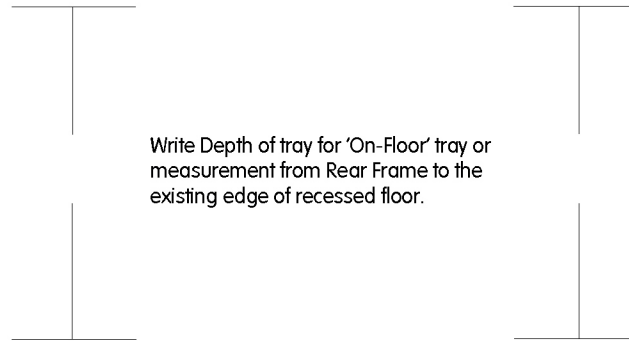
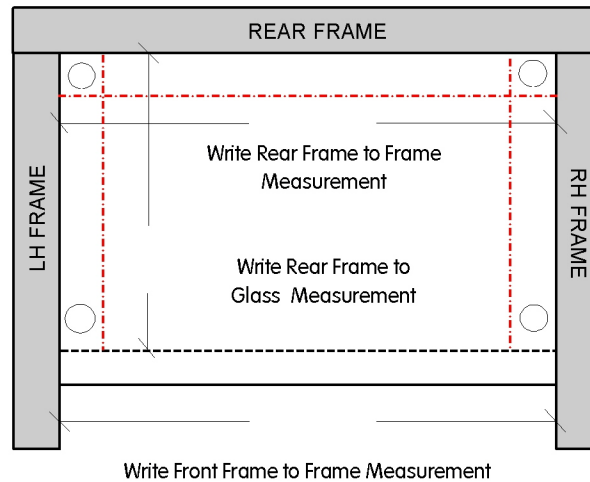
FOUR-WALL ALCOVE SHOWER ONLY

REAR FRAME TO FOURTH WALL _____

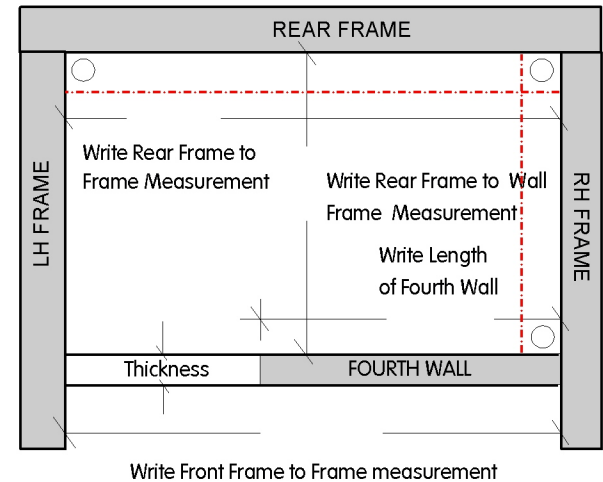
FOURTH WALL LENGTH _____

FOURTH WALL THICKNESS _____

SHOWER A1

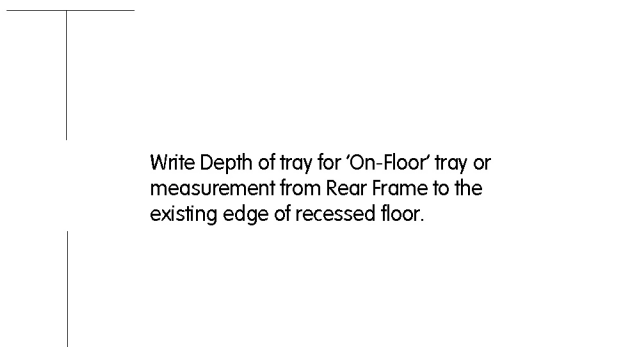
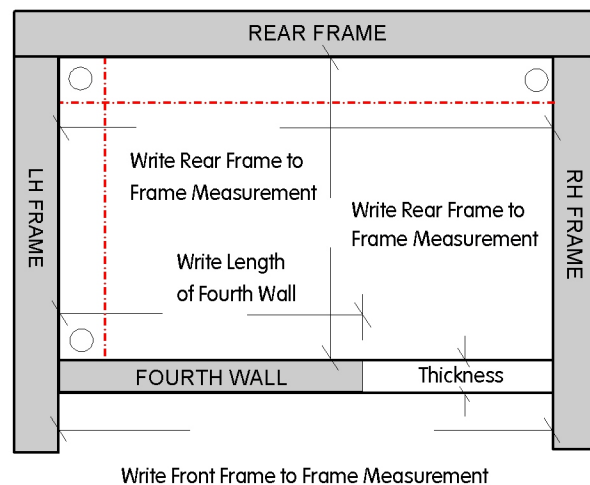


SHOWER A2



----- GLASS POSITION - - - - - CHANNEL-DRAIN POSITION - - - - - TICK ✓ SIDE OR REAR CHANNEL DRAIN POSITION. TICK ✓ WASTE HOLE LOCATION.

SHOWER A3



RECESSED TRAY

If a rebated / recessed floor has been formed prior to filling-out the custom worksheet, write down the Rear Frame to Front Edge measurement of the formed floor recess. If the floor rebate / recess has not been formed, contact Impresa for the required dimensions and floor rebate depth.

ON-FLOOR TRAY

The tray 'depth' (front to rear) requested for manufacture is be the overall size including the 'threshold / hob' of the tray. NOTE: The METRO standard threshold width is 35mm. The METRO STAINLESS standard threshold width is 50mm.

The glass is positioned at the inside of the threshold -- see PDF tray profile drawings on website.

NOTE: The correct installed-position of a shower tray is a minimum 6mm off the rear and side wall framing. This ensures the tray finishes flush with or is slightly setback from the face of the wall lining when the lining is affixed to the framing.

CUSTOM SHOWER WORKSHEET

CORNER TRAY / ON-FLOOR

Complete this section only if a **corner** shower tray is to be installed **onto** a bathroom floor. Provide measurements as requested below. See Corner Tray 'Plan View' drawings on Page 6 for assistance to determine the required dimensions. Contact Impresa for assistance if required.

REAR FRAME TO FRONT OF TRAY THRESHOLD _____ REAR FRAME TO GLASS POSITION (OUTSIDE) _____

SIDE FRAME TO FRONT OF TRAY THRESHOLD _____ SIDE FRAME TO GLASS POSITION (OUTSIDE) _____

THREE-WALL CORNER SHOWER ONLY

REAR FRAME TO THIRD WALL _____

THIRD WALL LENGTH _____

THIRD WALL THICKNESS _____

CORNER TRAY / RECESSED-FLOOR

Complete this section only if a **corner** shower tray is to be installed **into** a bathroom floor. If framing is in-situ and the recessed / rebated shower floor has been created prior to completing this form, provide measurements as requested below. Provide measurements as requested below. See Corner Tray 'Plan View' drawings on Page 6 for assistance to determine the required dimensions. If recessed floor has not been created, contact Impresa for required shower-floor depth.

BATHROOM FLOOR TO SHOWER FLOOR DEPTH (i.e. PLY TO PLY / CONCRETE TO CONCRETE) _____

REAR FRAME TO RECESSED-FLOOR FRONT EDGE (if floor recess is formed) _____

SIDE FRAME TO RECESSED-FLOOR FRONT EDGE (if floor recess is formed) _____

REAR FRAME TO GLASS POSITION (OUTSIDE) _____

SIDE FRAME TO GLASS POSITION (OUTSIDE) _____

THREE-WALL CORNER SHOWER ONLY

REAR FRAME TO THIRD WALL _____

THIRD WALL LENGTH _____

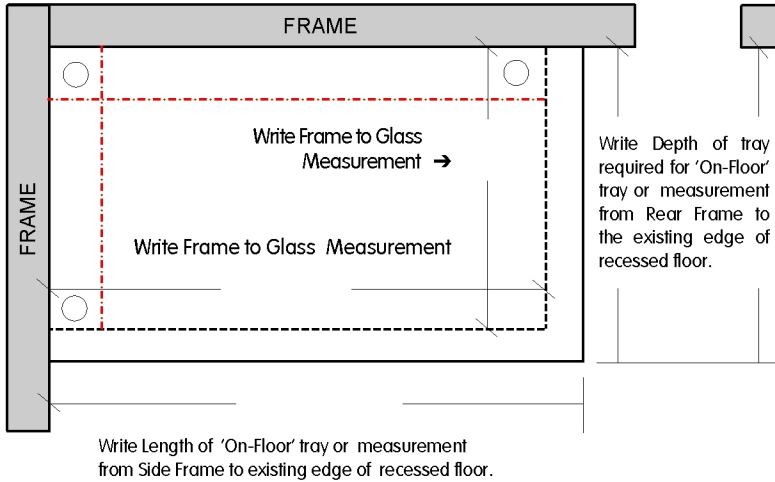
THIRD WALL THICKNESS _____

CUSTOM SHOWER WORKSHEET / PLAN VIEW

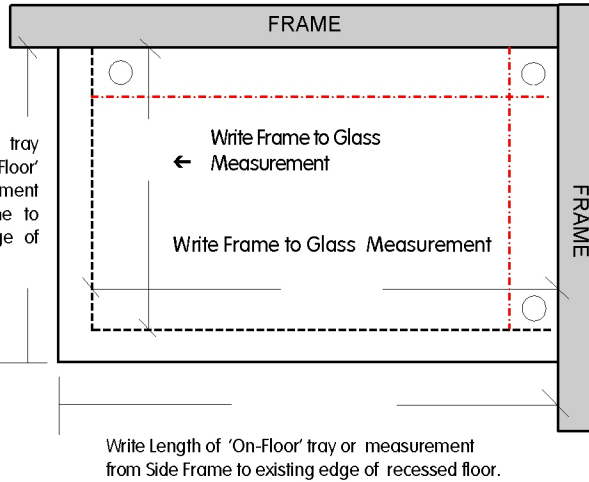
2-WALL AND 3-WALL CORNER

ON-FLOOR OR RECESSED-FLOOR INSTALLATION

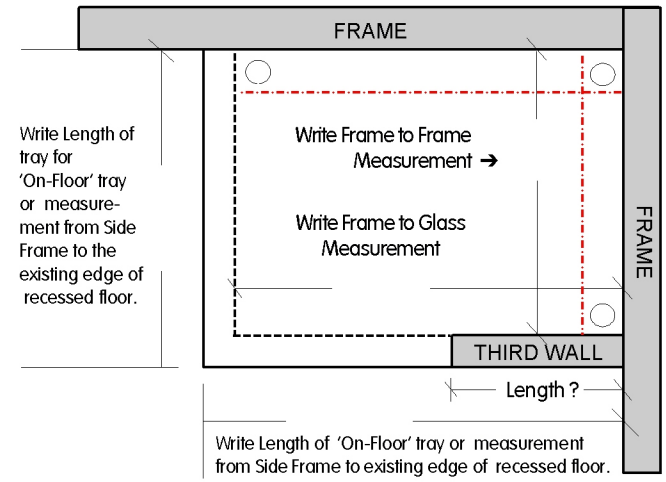
SHOWER C1



SHOWER C2

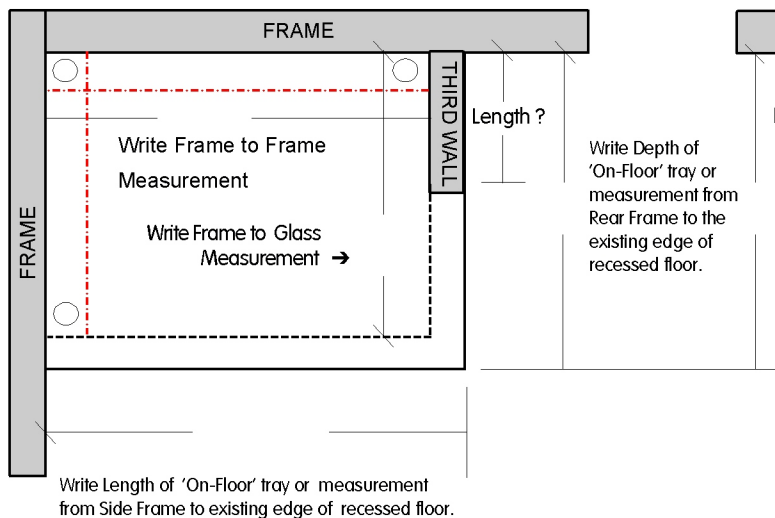


SHOWER C3

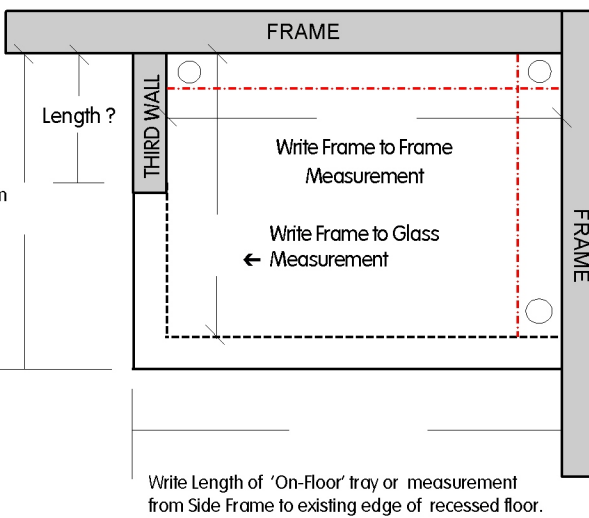


----- GLASS POSITION - - - - - CHANNEL-DRAIN POSITION TICK ✓ SIDE OR REAR CHANNEL DRAIN POSITION. TICK ✓ WASTE HOLE LOCATION.

SHOWER C4



SHOWER C5



SHOWER C6

