

METRO Stainless Shower

INSTALLATION INSTRUCTIONS



Impresa Tile Showers Ltd.

P. 09 273 4545 E. support@impresa.co.nz

SHOWER INSTALLATION

STEP 1

FRAMING

Ensure framing is plumb or no greater than 10mm out of plumb.

Ensure the floor is no greater than 5mm out of level.

Install a row of nogs around tray height to allow fixing for bottom of wet-wall lining.

Install nogs as required if a Quik Niche is to be utilised.

PLUMBING INSTALLATION

Install shower mixer, and hot and cold piping as required.

Easy-clean Waste-Trap position is determined by placing the shower tray on floor ensuring there is a 6mm gap between the tray and framing. Connect the waste-trap to the outlet pipe or if possible or easier, connect the waste-trap after the installation of the tray.



STEP 2

TILE ADHESIVE APPLIED TO SHOWER FLOOR AND TRAY

Ensure the shower-area floor surface is free of dirt and dust. Mix tile adhesive to a 'stiff' consistency which allows adhesive to remain stuck on tray foam support pads when tray is lifted to a vertical position at time of placement. Using a 10mm notched trowel, apply tile adhesive to the shower-area floor.

Lay shower tray flat with underside and foam pads facing up. Apply a thin 'primer' amount of tile adhesive to each foam pad on tray underside then apply a minimum 10mm thickness of adhesive to each foam support, adding extra adhesive as required for uneven / unlevel floors.



STEP 3

PLACEMENT AND INSTALLATION OF TRAY

With adhesive on tray foam pads and shower floor area, gently place shower into the required area. Ensure the tray is level along the 'door side' of the tray and from that point across to the other corner of the tray. Push the tray down or lift the tray up and add extra adhesive as required to make tray level.

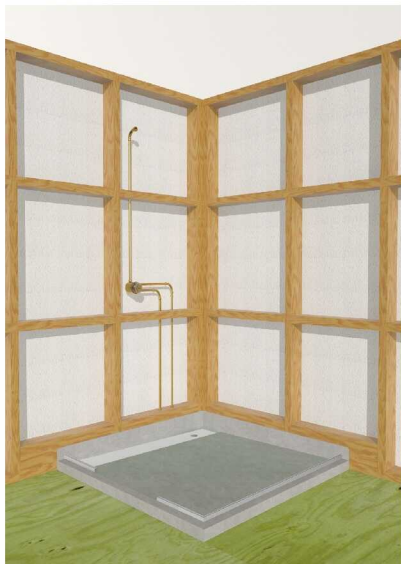
Lightly tap-down the entire tray to ensure bonding between the adhesive on the tray and the floor. Check the tray is level or no greater than 5mm out of level from corner to corner at both walls.

Do not apply any heavy weights to the tray. Do not stand on the tray before adhesive has cured. Allow 24 hours for adhesive to cure. Once the adhesive has cured, stand and walk on tray to check it is well bonded to floor and is not flexing.



SHOWER INSTALLATION

STEP 4



WASTE-TRAP / TRAY ALIGNMENT AND INSTALLATION

With waste-trap bottom 'O' ring on the waste body, ensure the waste-trap and tray hole-outlet align and that the 'O' ring on the waste body is touching the bottom of the tray outlet hole. Screw the waste top chrome ring a few rotations into the trap body. Apply silicone to underside of waste screw-ring and fully tighten the screw-ring to tray. Alternatively, if possible, attach the waste-trap to the tray from underneath the bathroom floor.

If not done prior, install a row of nogs to framing at tray height to allow fixing of bottom edge of wet-wall lining.

STEP 5

CHECK TRAY ADHESION TO FLOOR

To ensure the tray is well-bonded to the floor, stand and move about on the tray, checking for flexing / movement of the tray. If there is any movement, lift the tray and re-adhere.

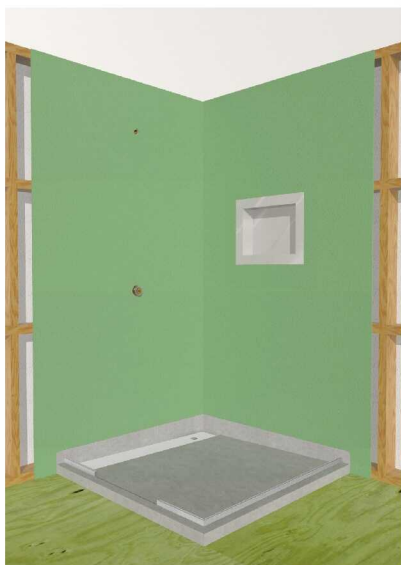
QUICK NICHE INSTALLATION

If required, install Quik Niche as per Impresa instructions supplied with niche.

WALLBOARD INSTALLATION

Before affixing wallboard, ensure the shower wall framing is plumb or not more than 10mm out of plumb -- pack wall to suit if required.

Cut and affix wet-area wallboard to framing as per manufacturer's instructions.



STEP 6

PRE-WATERPROOFING CHECK

Prior to application of the waterproofing membrane, ensure the shower walls are plumb or no more than 10mm out of plumb.

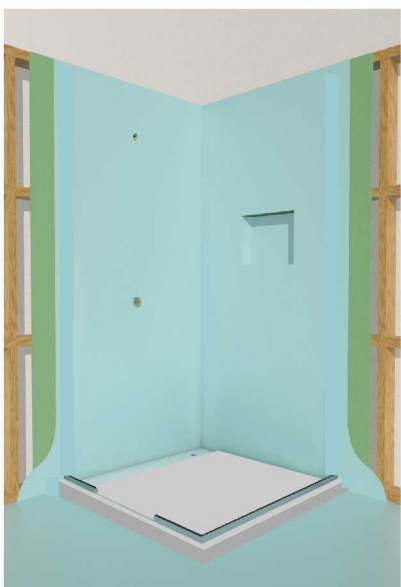
CAUTION: Tiler or waterproofer should check the tray is solidly-bonded to the floor and is not flexing BEFORE proceeding with the application of a waterproofing membrane.

JOINT TAPE AND WATERPROOFING MEMBRANE APPLICATION

In accordance with the manufacturer's specifications and instructions, apply a primer to the shower wall linings and bathroom floor.

Apply a peel and stick butyl tape to span the tray side-upstand / wall lining joints, and a further butyl tape to the tray front threshold or flange and onto the bathroom floor. Brush or roll a liquid waterproofing membrane to the shower walls and down across the applied butyl tape and onto the tray sides. Apply the liquid waterproofing to the bathroom floor and onto the butyl tape applied to the tray front threshold or flange.

For sheet membranes, refer to the manufacturer's instructions.



SHOWER INSTALLATION



STEP 7

WALL GLAZING CHANNEL INSTALLATION

Place an 1800mm-long spirit level against the inside face of tray glazing channel and mark the 'plumb' position on the wall. Repeat procedure on other wall.

Wall Channel Height -- Both supplied wall channels are pre-cut to 1970mm. Ensure the channel that is to receive the 'Hinge panel' (panel that door hinges attach to) is installed at the supplied length of 1970mm. Second wall channel -- If necessary to ensure this channel is level with the Hinge panel channel, trim the length of the second wall channel.

Apply a bead of supplied silicone sealant / adhesive to bottom side of pre-cut wall glazing channels, and adhere each channel to the wall at the pre-marked plumb position. Apply another bead to the inside and outside channel / wall junctions. With a spirit level, check each channel is level with each other at the top, and plumb 'left-to-right'.



STEP 9

PLUMBING FIXTURES INSTALLATION

Install plumbing fixtures to shower.

STEP 10

GLASS INSTALLATION

Impresa recommends the installation of the frameless-glass enclosure be performed by an experienced frameless-glass installer.

See Glazing Installation Overview – click the 'Technical / Drawings' button on the METRO STAINLESS page – www.impresa.co.nz.

STAINLESS STEEL SHOWER TRAY

INSTALLATION ADHESIVES

(A) Ardex NZ -- ARDEX X77

(D) ASA Bostik NZ -- CONFLEX

(B) Australasian Tiling Adhesives -- AUSFLEX GOLD

(E) Cemix Products Ltd. -- RUBBERFLEX

(C) Construction Chemicals NZ -- DURAFLEX

(F) Davco -- ULTRAFLEX

TILE ADHESIVE APPLICATION TO TRAY AND FLOOR

A recommended thinset tile adhesive is to be applied to a minimum 10mm-thickness to each of the high-density foam pads on the bottom of the tray, AND to the shower area floor with a 10mm notched-trowel.

NOTE

All on-site specifications and conditions are to comply with the respective adhesive manufacturer's specifications and recommendations. Impresa Tile Showers Ltd. does not imply nor provide any warranties for any tile adhesive listed herein.

RECOMMENDED WATERPROOFING MEMBRANES

METRO STAINLESS shower trays are supplied with a butyl membrane tape applied to the side upstands. Wet-area wallboard linings are to be installed to the shower wall framing, finishing at the top of, and flush with, the tray side-upstands. A recommended liquid waterproofing membrane primer / first-coat is to be applied to the shower walls and down onto the tray side-upstands. A 'bandage' mesh tape is to be applied to the wallboard / tray side-upstand joint and further liquid membrane is to be applied to the joint and shower walls according to the manufacturer's specifications.

NOTE: The wall glazing channels are to be adhered directly to the waterproofed walls PRIOR to the application of wall tile.



WATERPROOFING APPLICATION OVERVIEW

NOTE: Before applying the waterproofing, ensure the tray does not flex due to the action of a person walking or moving on the tray. If there is flexural movement of the tray, it must be lifted and re-adhered correctly.

1. Selected cementitious or acrylic waterproofing membrane from list below applied to shower wall linings.
2. Wall Glazing-channels installed directly to cured waterproofing.
3. METRO STAINLESS shower tray.
4. Ensure waterproofing is fully hard-cured before applying wall tiles .

WATERPROOFING MANUFACTURERS / SUPPLIERS

MANUFACTURER / SUPPLIER	CEMENTITIOUS MEMBRANES	ACRYLIC / URETHANE MEMBRANES
Sika NZ	Sikalastic-152	Sikalastic-220W
Ardex NZ	Superflex WPM002	WPM155 Rapid
Bostick (NZ)	DampFix 3	DampFix Gold
Construction Chemicals NZ	Liquid Flash 2	Hydrathane
Construction Technologies	AquaBlok 2	AquaBlok W1
Davco	Dampfast	Dampflex
Flexco NZ	Miracryl	Flexi-Seal
Mapei NZ	Mapelastik Smart	Aquadefense
Technokolla (Protective Surfaces)	Rasolastik	Rasogum
Waterproofing Systems	Gripset 2P	Gripset 38

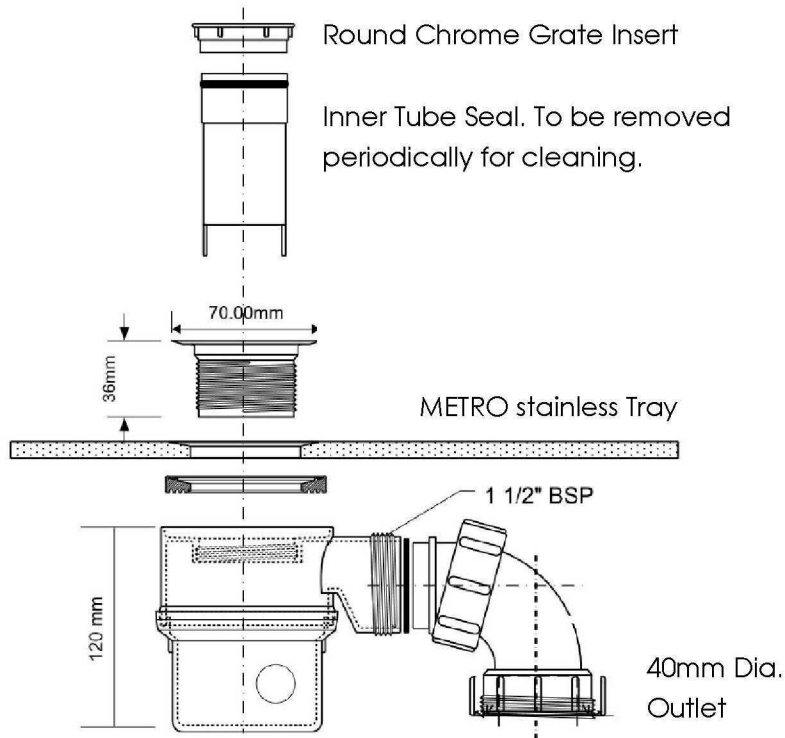
NOTE

All on-site specifications and conditions are to comply with the respective waterproofing manufacturer's specifications and recommendations. Impresa Tile Showers Ltd. does not imply nor provide any warranties for any product listed herein.

METRO stainless

EASY CLEAN WASTE TRAP (ECW4040) SPECIFICATIONS AND INSTALLATION

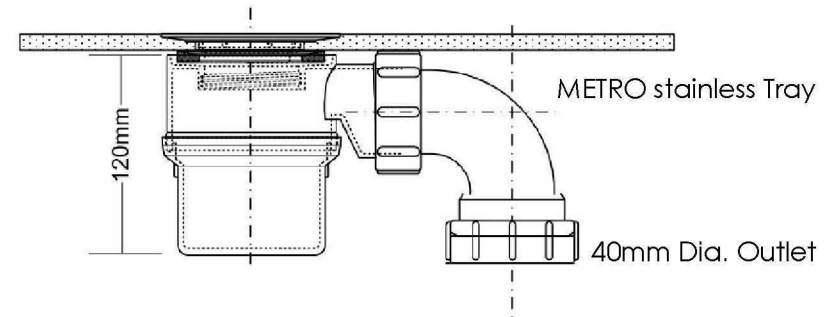
EASY CLEAN WASTE DETAIL



EASY-CLEAN TRAP OPTION

Flow Rate: 21 litres / min
Water Seal: 50mm Inner Tube/Seal Ring
Inlet Size Dia: 40mm / Outlet Size Dia: 40mm
Body Overall Depth: 120mm
DWV pipe compliant with AS/NZS1260

INSTALLATION -- Neutral-cure silicone is to be applied to the bottom side of the Chrome Flange and threaded into the easy-clean body and tightened down onto the shower tray.



WASTE FITTING OPTION

Removal of the Inner Tube-Seal creates a waste-fitting to which a 40mm, 50mm diameter or larger outlet pipe can be connected. A P-Trap or S-Trap must be connected to the waste fitting to prevent the egress of sewer gases.

STILE STAINLESS & METRO STAINLESS SHOWER ALCOVE / INLINE GLASS ENCLOSURE INSTALLATION

IMPORTANT NOTE

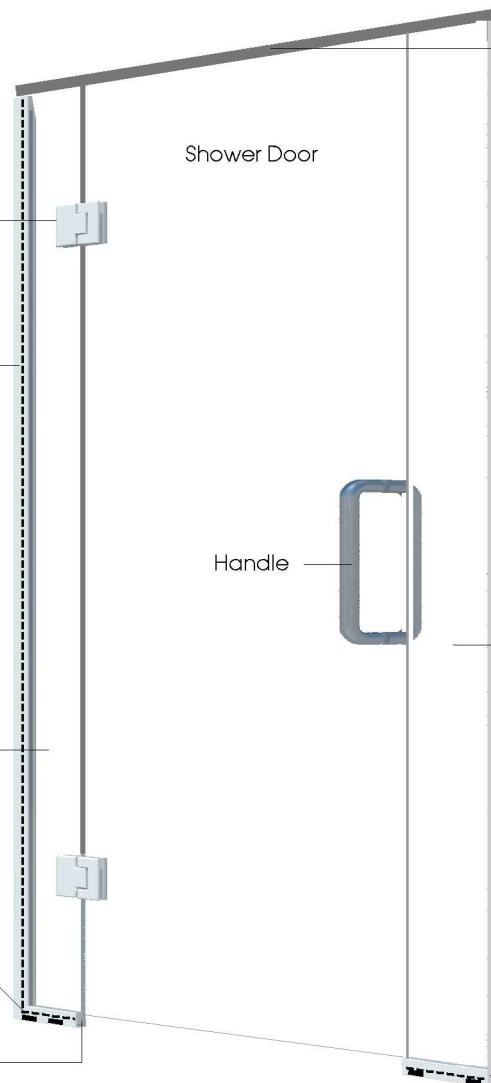
HINGE PANEL -- to be installed with the top hinge notch beginning 250mm from top edge of panel. Bottom hinge notch is 270mm from bottom edge of panel.

With plumb walls, glass will sit approx. 10mm into channel.

GLASS HINGE PANEL is to be made plumb and made level with top of glazing channel. Internally, a continuous bead of clear silicone is to be applied between sidelite and channel. Glass panel is to be pushed hard against channel and excess silicone removed. Externally, silicone is to be applied between glass and glazing channel and excess silicone removed. Ensure the installed panel is flush with the end of the tray glazing channel.

Clear silicone applied into each tray / wall channel butt-joint immediately prior to installation of each sidelite.

Apply silicone to open end of channel / bottom of glass sidelite to prevent water ingress into channel.



ALUMINIUM BRACE BAR

Secured with silicone adhesive or Clamp Brackets. Optional glass panel available.

IMPORTANT NOTE

WALL GLAZING CHANNELS

Wall channels are to be adhered directly to the waterproofed walls with the supplied silicone BEFORE the application of wall tile.

Apply a continuous bead of silicone to entire length of back side of channel. Adhere channel to wall and apply a continuous beads of silicone to inside and outside of channel / wallboard junction.

GLASS SIDE PANEL -- Install setting blocks into the tray channel and ensure the Side Panel top edge is flush with the wall channel and the Hinge Panel. Place the panel into the tray and wall channels. On the shower internal side, apply silicone between the wall channel and glass panel. Press the Side Panel hard against the channel. Spray water mixture and remove all excess silicone.

SETTING BLOCKS -- Use 6 x 5mm blocks under bottom edge of glass panels to ensure panels are level with top of wall channels or 1.5mm max. above.

STILE STAINLESS SHOWER & METRO STAINLESS SHOWER CORNER GLASS ENCLOSURE INSTALLATION

IMPORTANT NOTE

WALL GLAZING CHANNELS

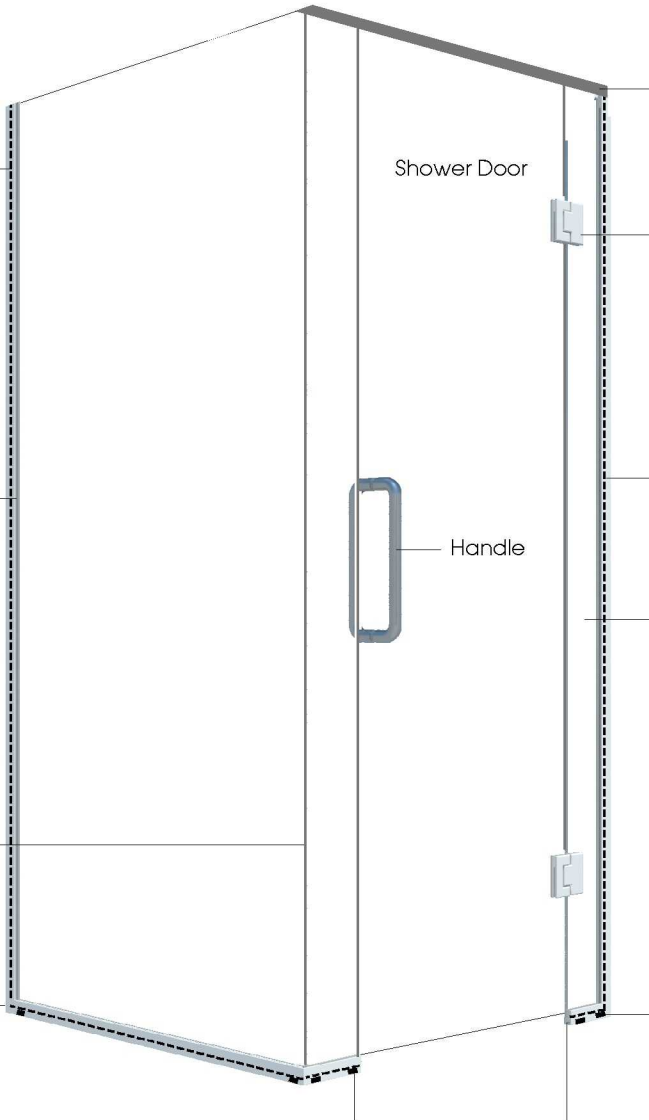
Wall channels are to be adhered directly to the waterproofed walls with the supplied silicone BEFORE the application of wall tile.

GLASS RETURN PANEL -- is to be made plumb and level with top of glazing channel and Hinge Panel. Internally, apply a continuous bead of clear silicone between glass and glazing channel. Return is to be pushed hard against channel and excess silicone removed. Externally, silicone is to be applied between glass and glazing channel and excess silicone removed.

GLASS SIDE PANEL -- Install setting blocks into the tray channel and ensure the Side Panel top edge is flush with the Return Panel. Apply a continuous bead of clear silicone approx. 5mm thick to the Return Panel edge. Insert the Side Panel into the tray channel and press / adhere the Side Panel to the Return panel edge leaving a 2mm silicone joint between both panels. Spray water mixture and remove all excess silicone.

Clear silicone applied to each tray / wall channel butt-joint immediately prior to installation of sidelite or return panel.

Apply clear silicone to bottom of side panels to seal-off end of channels.



ALUMINIUM BRACE BAR

Secured with silicone adhesive or Clamp Brackets. Optional glass panel available.

IMPORTANT NOTE:

HINGE PANEL -- to be installed with the top hinge notch 250mm from top edge of panel. Bottom hinge cut-out is 270mm from bottom edge of panel.

With plumb walls, glass will sit approx. 10mm into channel.

GLASS HINGE PANEL is to be made plumb and made level with top of glazing channel. Internally, a continuous bead of clear silicone is to be applied between sidelite and channel. Glass panel is to be pushed hard against channel and excess silicone removed. Externally, silicone is to be applied between glass and glazing channel and excess silicone removed. Ensure the installed panel is flush with the end of the tray glazing channel.

SETTING BLOCKS -- Use 6 x 5mm blocks under bottom edge of glass panels to ensure panels are level with top of wall channels or 1.5mm max. above.