

## EASY-CLEAN TRAP AND HI-FLOW WASTE SPECIFICATIONS



### EASY-CLEAN TRAP (Side Exit)

Trap Seal: 75mm water seal  
 Flow Rate: 32 litres / min  
 Outlet Pipe Dia: 40 or 50mm  
 Trap Depth Below Tray: 120mm  
*Supplied as standard for residential installations.*  
*Other options upon request.*



### EASY-CLEAN TRAP (Bottom Exit)

Trap Seal: 75mm water seal  
 Flow Rate: 32 litres / min  
 Outlet Pipe Dia: 40 or 50mm  
 Trap Depth Below Tray: 145mm  
*Suitable for fire collar installations*



### Hi-FLOW WASTE #1 (Side Exit)

P or S Trap to be attached to Hi-Flow  
 Flow Rate: 33-44 litres / min  
 Outlet Pipe Dia: 40 or 50mm  
 Depth Below Tray: 120mm



### Hi-FLOW WASTE #2 (Bottom Exit)

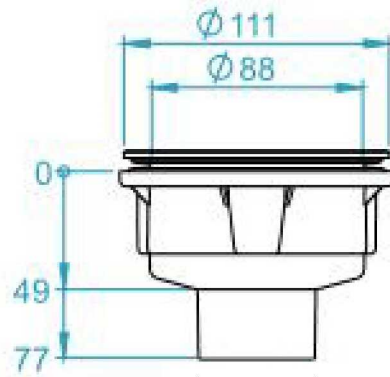
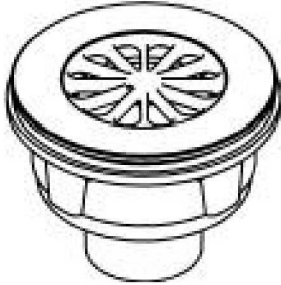
P or S Trap to be attached to Hi-Flow  
 Flow Rate: 33-44 litres / min  
 Outlet Pipe Dia: 40 or 50mm  
 Trap Depth Below Tray: 120mm  
*Suitable for fire collar installations*



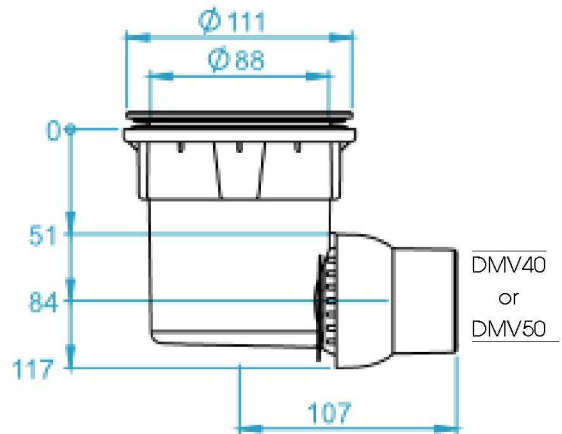
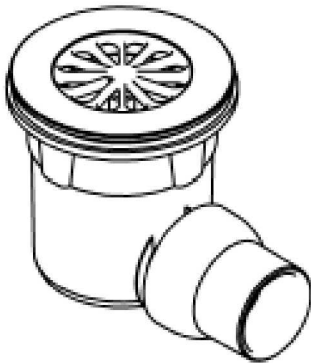
### Hi-FLOW WASTE #3 (Bottom Exit)

P or S Trap to be attached to Hi-Flow  
 Flow Rate: 33-44 litres / min  
 Outlet Pipe Dia: 40 or 50mm  
 Trap Depth Below Tray: 50mm  
*Suitable for fire collar installations*

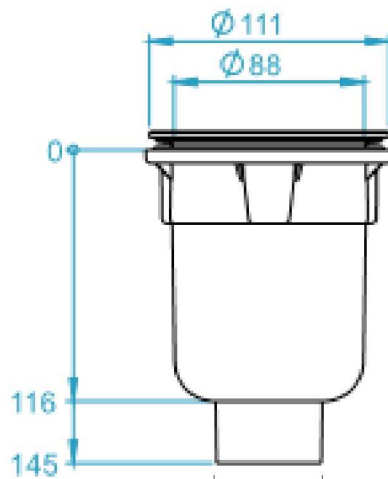
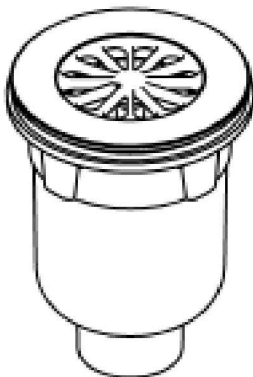
# WASTE OUTLET AND EASY-CLEAN TRAP CROSS-SECTIONS



DMV40 or DMV50



DMV40  
or  
DMV50



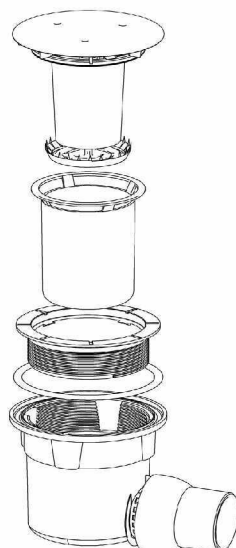
DMV40 or DMV50

## STAINLESS STEEL WASTE GRATE AND TILEABLE COVER



### STAINLESS STEEL BASE AND GRATE

The stainless steel base and grate are to be located over the fitted easy-clean trap or Hi-Flow waste. Tile is applied to the shower tray and around the perimeter of the grate. The height of the base and grate is adjusted to suit the thickness of the tray tile. When in-use, the grate is removable for access to the easy clean / waste below.  
Size: 140 x 140 mm.



### STAINLESS STEEL BASE AND TILEABLE COVER

The stainless steel base and cover are to be located over the easy-clean trap or Hi-Flow waste. Tile is adhered to the stainless steel cover tray and the shower tray. The height of the base and tileable cover is to be adjusted to suit the thickness of the shower tray tile. When in-use, the tiled cover is removed for access to the easy clean / waste below.  
Base Size 140 x 140mm. Tile Cover Size 120 x 120 mm.

