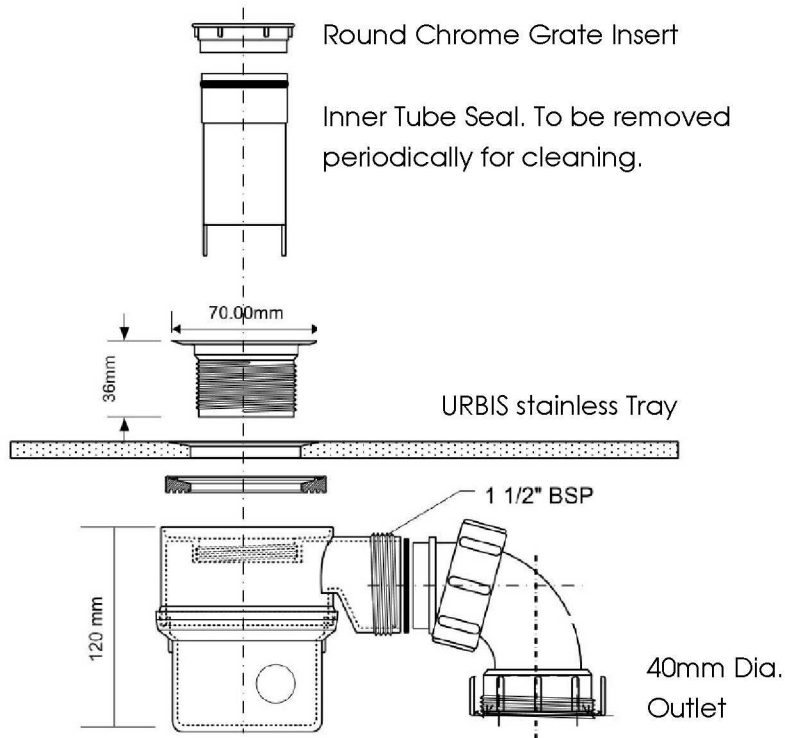


URBIS stainless

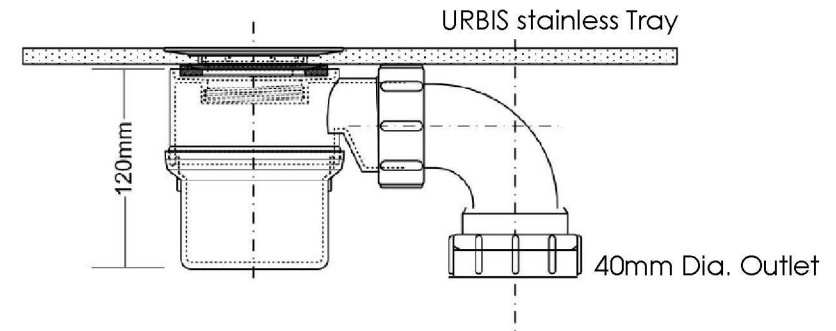
EASY CLEAN WASTE TRAP (ECW4040) SPECIFICATIONS AND INSTALLATION

EASY CLEAN WASTE DETAIL



EASY-CLEAN TRAP OPTION

Flow Rate: 21 litres / min
Water Seal: 50mm Inner Tube/Seal Ring
Inlet Size Dia: 40mm / Outlet Size Dia: 40mm
Body Overall Depth: 120mm
DWV pipe compliant with AS/NZS1260
Neutral-cure silicone is to be applied to the bottom side of the Chrome Flange and threaded into the easy-clean body and tightened down onto the shower tray



WASTE FITTING OPTION

Removal of the Inner Tube-Seal creates a waste-fitting to which a 40mm, 50mm diameter or larger outlet pipe can be connected. A P-Trap or S-Trap must be connected to the waste fitting to prevent the egress of sewer gases.