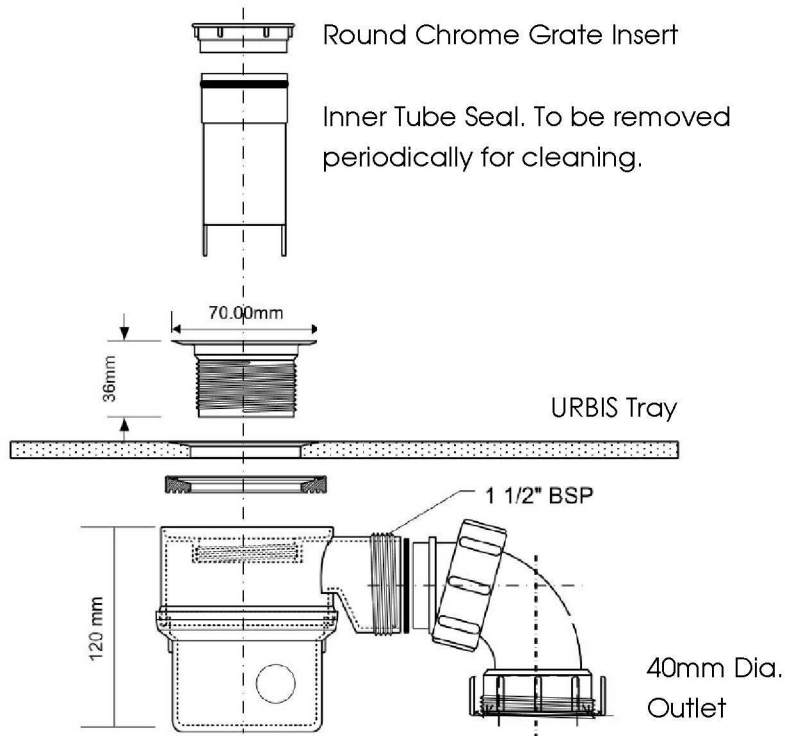


# URBIS

## EASY CLEAN WASTE TRAP (ECW4040) SPECIFICATIONS AND INSTALLATION

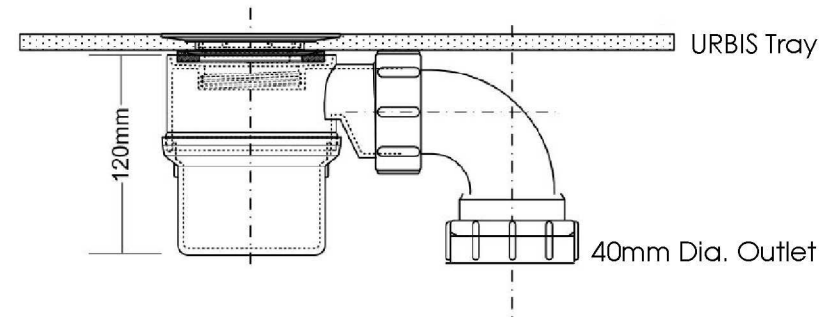
### EASY CLEAN WASTE DETAIL



### EASY-CLEAN TRAP OPTION

Flow Rate: 21 litres / min  
Water Seal: 50mm Inner Tube/Seal Ring  
Inlet Size Dia: 40mm / Outlet Size Dia: 40mm  
Body Overall Depth: 120mm  
DWV pipe compliant with AS/NZS1260

**INSTALLATION** -- Neutral-cure silicone is to be applied to the bottom side of the Chrome Flange and threaded into the easy-clean body and tightened down onto the shower tray.



### WASTE FITTING OPTION

Removal of the Inner Tube-Seal creates a waste-fitting to which a 40mm, 50mm diameter or larger outlet pipe can be connected. A P-Trap or S-Trap must be connected to the waste fitting to prevent the egress of sewer gases.